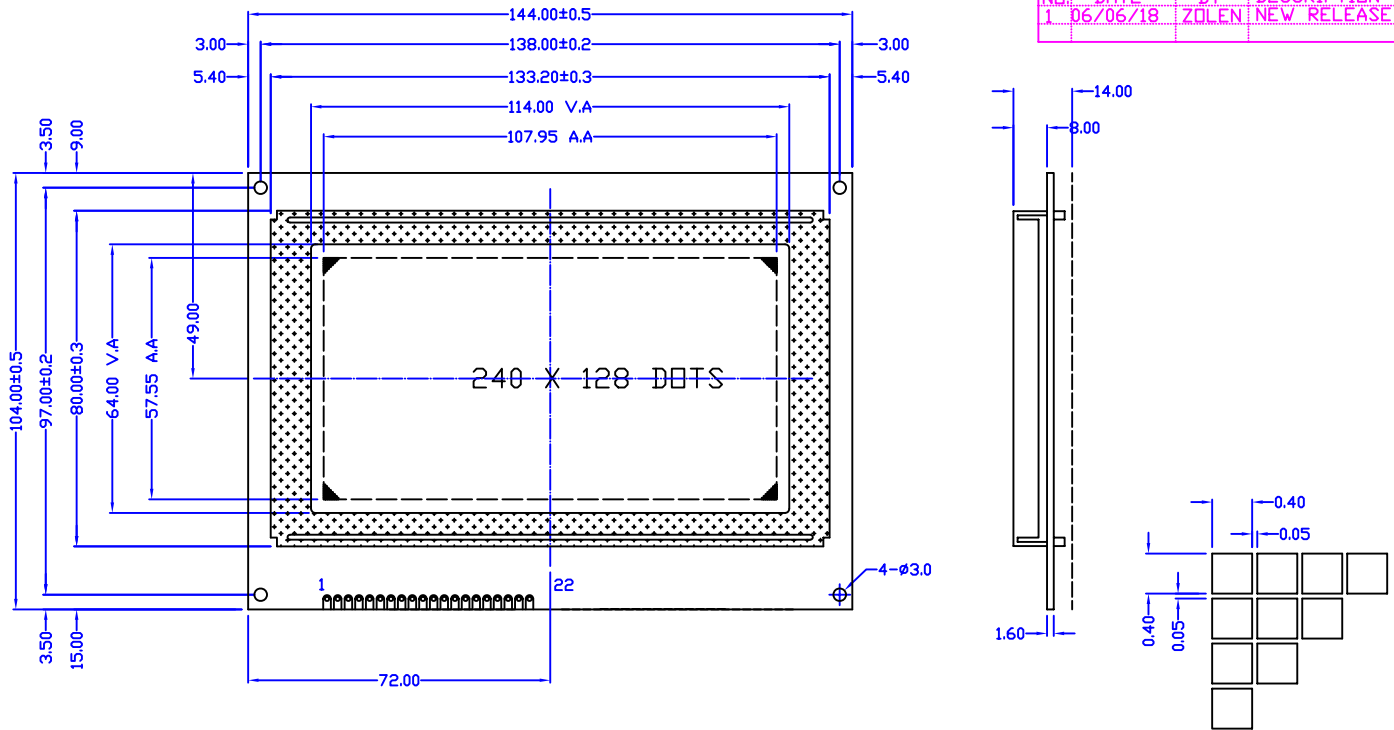
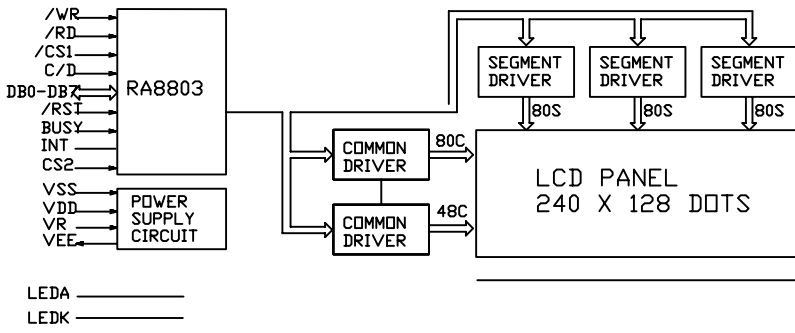


Outline Dimension

REVISIONS			
NO.	DATE	BY	DESCRIPTION
1	06/06/18	ZOLEN	NEW RELEASE



Block Diagram



Feature

1. BUILT IN CONTROLLER: RA8803 OR EQUIVALENT
2. POWER SUPPLY: 5.0V AND 3.0V AVAILABLE
3. BACKLIGHT: LED SIDE BACKLIGHT
4. BACKLIGHT: LED SIDE BACKLIGHT
5. COLOUR OF BACKLIGHT: WHITE
6. 1/128 DUTY CY

Mechanical Data

ITEM	SPECIFICATION	UNIT
OVERALL SIZE	144.0W x 104.0H x 14.0T	MM
VIEWING AREA	133.2W x 64.0H	MM
DOT NUMBER	240 x 128	DOTS
DOT SIZE	0.40W x 0.40H	MM
DOT PITCH	0.45W x 0.45H	MM

Pin Assignment

NO.	SYMBOL	DESCRIPTION
1	VSS	GROUND
2	VDD	POWER SUPPLY FOR LOGIC AND LCD
3	VR	OPERATING VOLTAGE FOR LCD
4	RS	COMMAND/DATA SELECTION
5	/WR	DATA WRITE
6	/RD	DATA READ
7	/CS1	CHIP ENABLE FOR RA8806
8	CS2	CHIP ENABLE FOR RA8806
9	BUSY	RA8806 BUSY SIGNAL
10	INT	PROGRAMABLE INTERRUPT FOR RA8806
11	/RST	RESET SIGNAL (LOW EFFECTIVE)
12--19	DB0--DB7	DATA BUS
20	VEE	NEGATIVE VOLTAGE INPUT/OUTPUT
21	A	LED BACKLIGHT POWER SUPPLY(+)
22	K	LED BACKLIGHT POWER SUPPLY(-)

Absolute Maximum Rating

ITEM	SYMBOL	MIN	MAX	UNIT
POWER SUPPLY(LOGIC)	VDD-VSS	0	6.5	V
POWER SUPPLY(LCD DRV.)	VDD-V0	0	18.0	V
INPUT VOLTAGE	VI	VI	VDD	V

Electrical Characteristics

ITEM	SYMBOL	MIN	TYP	MAX	UNIT
VOLTAGE FOR LOGIC	VDD-VSS	4.75	5.0	5.25	V
SUPPLY CURRENT	IDD	-	12.0	-	mA
LCD OPERATING VOLTAGE	0C	-	16.0	-	V
	25C	-	15.0	-	V
	40C	-	14.0	-	V
INPUT VOLTAGE	H	0.7VDD	-	VDD	V
	L	0	-	0.3VDD	V

ALL DIMENSIONS ARE IN MM. TOLERANCE IS +/-0.2 UNLESS OTHERWISE NOTED.

JXD240128F

240 X 128 DOTS GRAPHIC LCM

