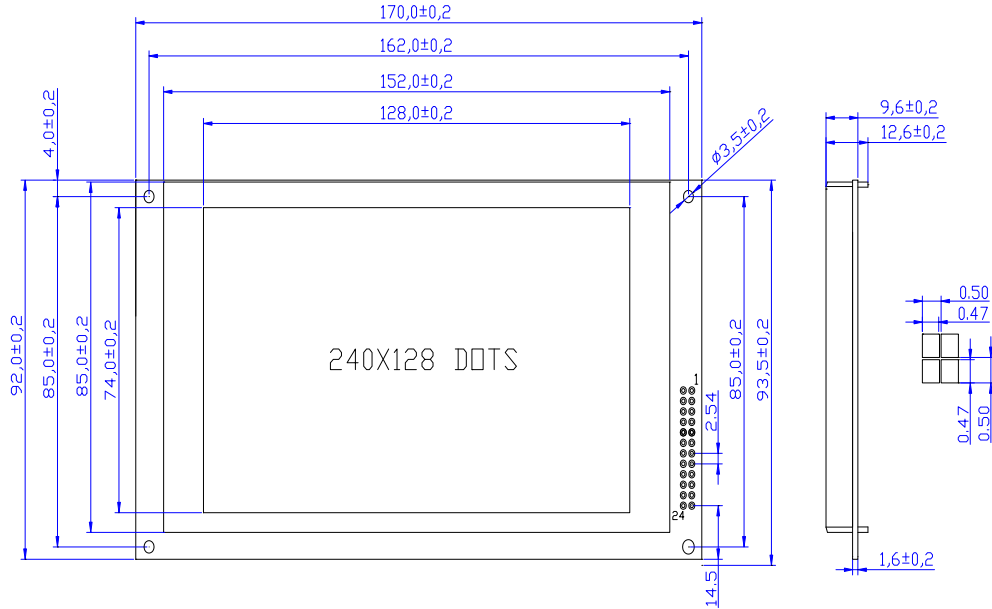


# JXD240128C

## ① PHYSICAL DIMENSION



## ② MECHANICAL SPECIFICATIONS

Item	Nominal Dimensions(mm)
Module Size(W×H×T)	170.0×92×13.0
Viewing Area(W×H)	128.0×74.0
Dot Pitch(W×H)	0.50×0.50
Dot Size(W×H)	0.47×0.47

## ③ PIN CONNECTIONS

Pin	Symbol	Function
1	FG	Frame Ground
2	VSS	Ground for Logic(0V)
3	VDD	Power supply for Logic(+5V)
4	V0	Power supply for LCD Driver
5	/WR	Command and data write signal
6	/RD	Data and status read signal
7	/CE	Chip enable signal
8	C/D	H:Command; L:Data
9	NC	No connect
10	/RST	Reset Signal (Active LOW )
11~18	DB0~DB7	Data Bus Line
19	FS	Selection of font. H: 6×8; L: 8×8
20	NC	No connect
21	VOUT	Negative voltage output
22	LED+	Backlight Power (+5V)
23	LED-	Backlight Power (0V)
24	NC	No connect

## ④ FEATURE

LCD Type & Colour	STN:Yellow-Green,Blue,FSTN
View Angle	6 O'clock
Display Type	Positive Type,Negative Type
Control IC & Package	T6963C or EQV,COB or SMT
Operating Temperature	-20℃ ~ 70℃
Storage Temperature	-30℃ ~ 80℃

## ⑤ ELECTRICAL CHARACTERISTICS (Supply current doesn't contain backlight)

Item	Symbol	Test Condition	Typ.	Unit
Operating Voltage	Vdd	Ta=25℃	5.0	V
Supply Current	Idd	Ta=25℃ , Vdd=5.0V	23.0	mA